

ITEM	DRAWING NUMBER	DESCRIPTION
1	A5665A16 C 010	Anchor Bolt Drawing
2	A5665A16 M 015	K-Bundle
3	A5665A16 M 020	D-Bundle
4	A5665A16 M 040	Fan Drawing
5	A5665A16 M 045	Fan Motor Drawing
6	A5665A16 M 065	Mechanical Equipment
7	A5665A16 S 100	Steel Structure - columns and bracing
8	A5665A16 S 200	Fan deck beams
9	A5665A16 S 250	Fan deck, sheets
10	A5665A16 S 300	Fan-Ring
11	A5665A16 S 300	Fan-Screen
12	A5665A16 S 400	Fan-Frame
13	A5665A16 S 450	Fan-Bridge
14	A5665A16 S 500	A-F-Frame
15	A5665A16 S 500	A-F-Frame Cladding
16	A5665A16 S 600	Wind-Vail
17	A5665A16 S 630	Wind-Vail Cladding
18	A5665A16 S 700	Shims
19	A5665A16 S 750	Ladders
20	A5665A16 S 800	Condensate Tank Support Structure
21	A5665A16 S 900	Chimney System Ladders
22	A5665A16 S 950	Flue Gas Duct and Safety Valve Platform
23	A5665A16 M 110	Vacuum Unit
24	A5665A16 M 410	Steam Duct
25	A5665A16 M 410	Steam Distribution Main/Duct
26	A5665A16 M 430	Condensate Tank
27	A5665A16 M 430	Condensate Tank
28	A5665A16 M 100	Fan Condensate pump

ITEM	DRAWING NUMBER	DESCRIPTION
1	A5665A16 C 010	Anchor Bolt Drawing
2	A5665A16 M 015	K-Bundle
3	A5665A16 M 020	D-Bundle
4	A5665A16 M 040	Fan Drawing
5	A5665A16 M 045	Fan Motor Drawing
6	A5665A16 M 065	Mechanical Equipment
7	A5665A16 S 100	Steel Structure - columns and bracing
8	A5665A16 S 200	Fan deck beams
9	A5665A16 S 250	Fan deck, sheets
10	A5665A16 S 300	Fan-Ring
11	A5665A16 S 300	Fan-Screen
12	A5665A16 S 400	Fan-Frame
13	A5665A16 S 450	Fan-Bridge
14	A5665A16 S 500	A-F-Frame
15	A5665A16 S 500	A-F-Frame Cladding
16	A5665A16 S 600	Wind-Vail
17	A5665A16 S 630	Wind-Vail Cladding
18	A5665A16 S 700	Shims
19	A5665A16 S 750	Ladders
20	A5665A16 S 800	Condensate Tank Support Structure
21	A5665A16 S 900	Chimney System Ladders
22	A5665A16 S 950	Flue Gas Duct and Safety Valve Platform
23	A5665A16 M 110	Vacuum Unit
24	A5665A16 M 410	Steam Duct
25	A5665A16 M 410	Steam Distribution Main/Duct
26	A5665A16 M 430	Condensate Tank
27	A5665A16 M 430	Condensate Tank
28	A5665A16 M 100	Fan Condensate pump

GENERAL NOTES

All dimensions are in millimeters unless otherwise indicated.
 All elevations are in meters unless otherwise indicated.
 Site adjustments are allowed if provided in accordance with SPIC Site Manager's instructions.
 ACC: including ducting and condensate tank, design values.
 Max. Temperature = 120 °C
 Max. Pressure = 1.49 bara

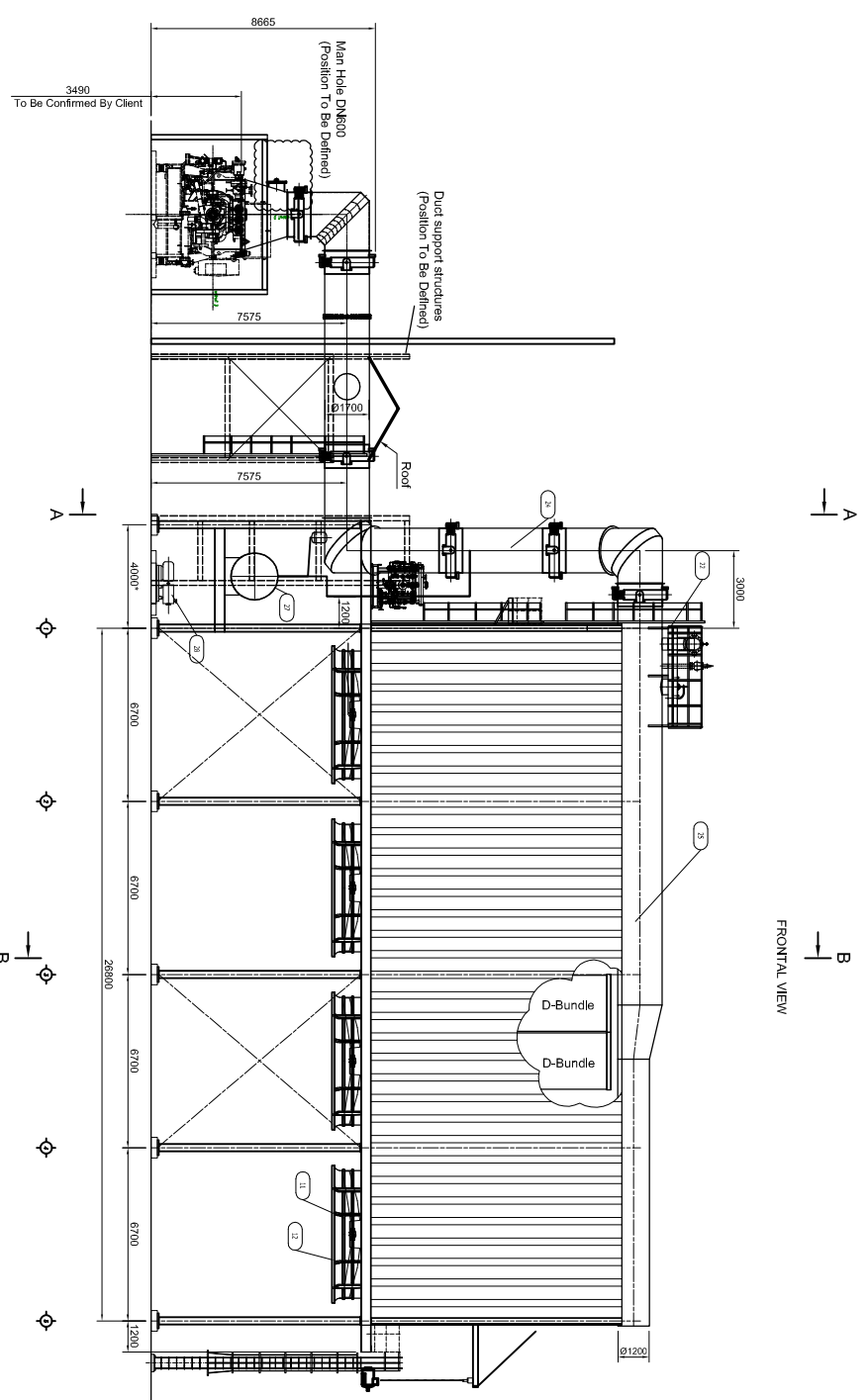
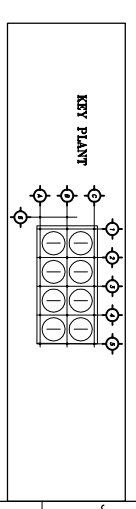
STEAM DISTRIBUTION SYSTEM BATTERY LIMITS

TP No.	DN [mm]	TYPE	SERVICE	Tmax [°C]	Pmax [bar]	Note
TP1	-	BW	Turbine Exhaust Steam	120	1.49	1-2
TP2	-	BW	HP By-pass Steam	-	-	2-3
TP3	-	BW	-	-	-	-
TP4	-	BW	-	-	-	-
TP5	-	BW	-	-	-	-

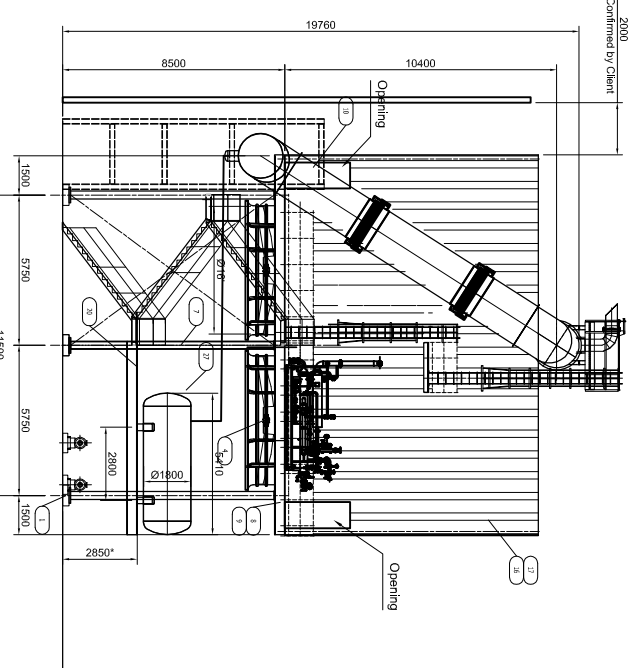
(1) Allowable loads and displacements to be confirmed by CLIENT.
 (2) Design of the Exhaust Steam Duct cannot be finalized without these values.
 (3) Incoming loads to be confirmed by CLIENT.

OTHER BATTERY LIMITS

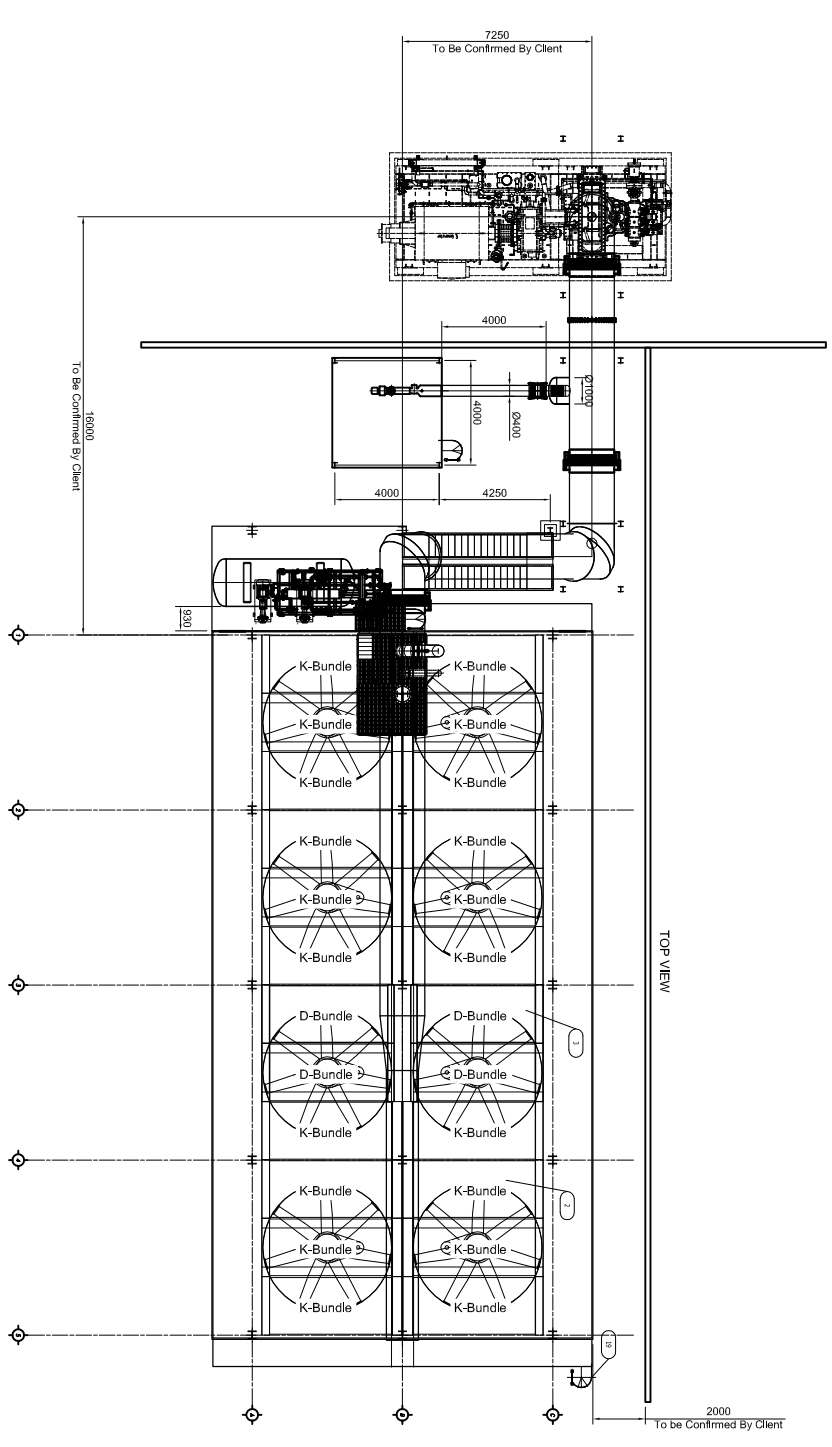
CIVIL	Top of concrete + 250 mm
ELECTRICAL	Electric Motors terminal box
INSTRUMENTATION	Field instrumentations not wired into local IBS
Piping	See PAID



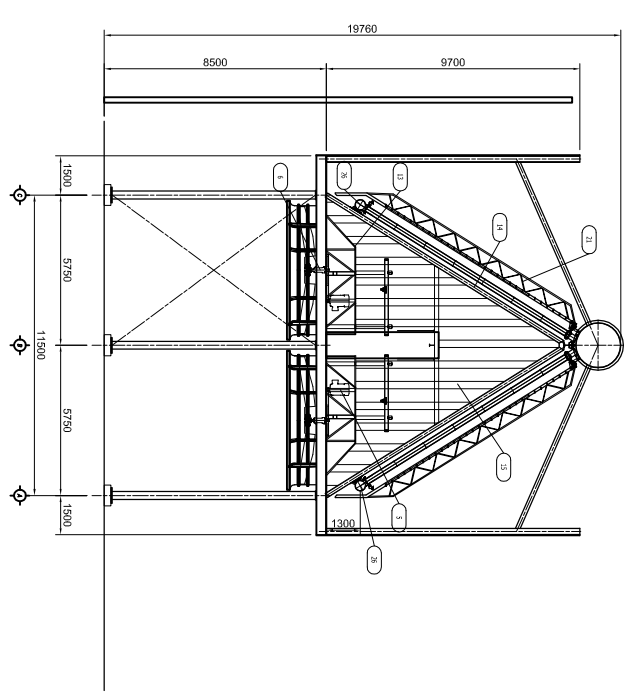
FRONTAL VIEW



VIEW FROM A-A



TOP VIEW



SECTION B-B

SPIC SPIC S.p.A.
 GENERAL ASSEMBLY DRAWING

Scale: 1:100

Doc No: A5665A16-04-010

NO.	DATE	REVISION	BY	CHKD	APPD
01	10/03/2016	SECOND ISSUE			
02	22/02/2016	FIRST ISSUE			

Author: CALUFFORO - TRV

Scale: 1:100

Sheet: 1/1

Scale: 1:100